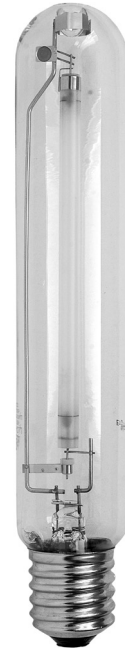


Lucalox™ PSL

Lucalox™ PSL Tubular Clear 230V 250W, 400W, 600W and 750W
Lucalox™ PSL Tubular Clear 400V 600W and 750W

DATASHEET



Superb performance and high reliability

- GE's advanced sodium resistant ceramic helps eliminate early failures to give a rated service life of up to 12,000 hours for the Lucalox™ PSL products.
- In order to achieve maximum performance, GE recommends lamp replacement when the rated service life is reached.
- The lamp uses extra rugged monolithic arctubes equipped with GE Reliable Starting Technology which provides continuous high performance.

High Xenon-Fill gas delivers:

- Extra light and PAR (Photosynthetically Active Radiation) output.
- More resistance to mains voltage fluctuations.

Zirconium gettering system gives:

- Improved PAR maintenance that drives constant and uniform plant growth.

Top Marking

- With the increased use of 400V systems, these lamps will be clearly marked with the voltage and wattage on the top of the lamp to ensure correct installation.

The diameter of the frame wire in the lamp has been minimised to reduce shading in the installation without affecting the robustness of the lamp.

Basic data

Product Description Standard	LU250W/PSL/T/E40	LU400W/PSL/T/E40	LU600W/PSL/T/E40
Product Description Bulk	N/A	LU400W/PSL/T/E40/Bulk	LU600W/PSL/T/E40/Bulk
Standard Product Code	88665	17106	17107
Bulk Product Code	N/A	44304	44305
Nominal Wattage [W]	250	400	600
Rated Wattage [W]	270	416	605
Volts [V]	115	110	115
Cap	E40	E40	E40
Nominal Lumen [lm]	33000	56500	90000
Rated Lumen [lm]	34300	57320	88090
Rated Lamp efficacy [lm/W]	113	138	146
Mercury Content [mg]	23.2	19.2	21.1
Rated Life [h]	10,000	12,000	12,000
CCT [K]	2100	2100	2100
Colour Rendering Index [Ra]	22	22	22
Ambient Temperature	25	25	25
Bulb	Hard	Hard	Hard
Mass Weight [g]	160	210	220
Operating Position	Universal	Universal	Universal



Product Description Standard	LU750W/PSL/T/E40	LU400V/600W/PSL/T/E40	LU400V/750W/PSL/T/E40
Product Description Bulk	LU750W/PSL/T/E40/Bulk	LU400V/600W/PSL/T/E40/Bulk	LU400V/750W/PSL/T/E40/Bulk
Standard Product Code	17108	43440	43438
Bulk Product Code	44306	43439	43437
Nominal Wattage [W]	750	600	750
Rated Wattage [W]	NA	617	769
Volts [V]	115	115	115
Cap	E40	E40	E40
Nominal Lumen [lm]	112000	90000	112000
Rated Lumen [lm]	109230	84980	105320
Rated Lamp Efficacy [lm/W]	146	138	137
Mercury Content [mg]	21.1	21.9	24.7
Rated Life [h]	10,000*	12,000	12,000
CCT [K]	2100	2100	2100
Colour Rendering Index [Ra]	22	22	22
Ambient Temperature	25	25	25
Bulb	Hard	Hard	Hard
Mass Weight [g]	230	220	230
Operating Position	Universal	Universal	Universal

*Life data limited to 6,000 hours until further notice, contact your sales representative for further information

Dimensions

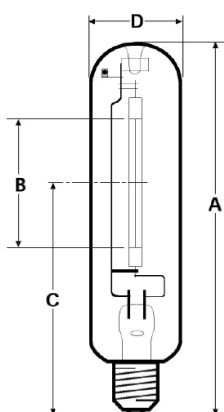


Figure 1.

Lamp data

Product Description	LU250W/PSL/T/E40	LU400W/PSL/T/E40	LU600W/PSL/T/E40	LU750W/PSL/T/E40	LU400V/600W/PSL/T/E40	LU400V/750W/PSL/T/E40
Standard Product Code	88665	17106	17107	17108	43440	43438
Bulk Product Code	N/A	44304	44305	44306	43439	43437
Nominal Wattage [W]	250	400	600	750	600	750
A Max. Length (mm)	260	292	292	291	292	293
B Arc Gap (mm)	67	87	117	115	124.5	143
C LCL (mm)	158	175	169	171	169	175
D [mm]	48	48	48	51	48	51

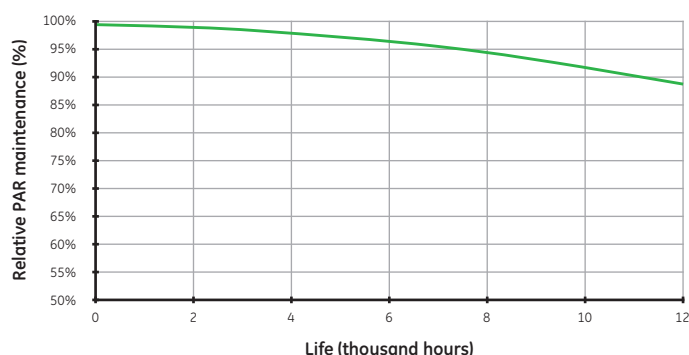
Lamp survival and PAR maintenance

Rated service lamp life & PAR maintenance is based on laboratory tests of a large number of representative lamps under controlled conditions, including operation at 3 hours per start on ballasts having specified electrical characteristics. Reliability is also tested in large scale field tests in greenhouses.

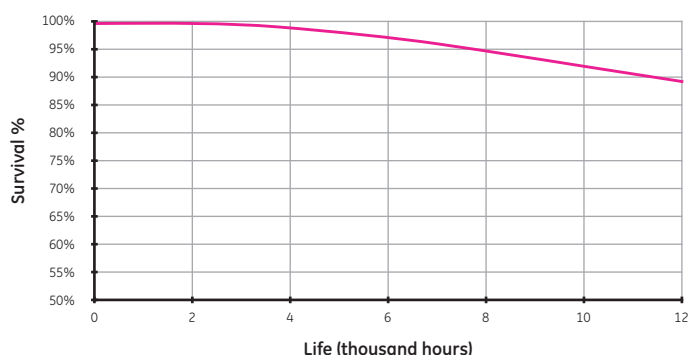
The following conditions can reduce average lamp life and lumen maintenance:

- frequent on/off switching
- high line voltage
- excessive vibration
- high ambient temperature within the fixture
- non-compatible ballast and ignitor characteristics.

Typical PAR maintenance



Typical lamp survival



Rated service life

The survival of individual lamps or particular groups of lamps depends on these system conditions (see Lamp Survival graph). For cost-of-light calculations involving these lamps, it is suggested to replace both the 230V and the 400V type PSL lamps after 10,000 hours burning.

PAR maintenance

Under the same controlled conditions, initial reference PAR value refers to the lamp light output after 100-hours burning. Due to variations in systems and service conditions (in particular the burning cycle and the operating system), actual lamp performance can vary from the reference PAR ratings.

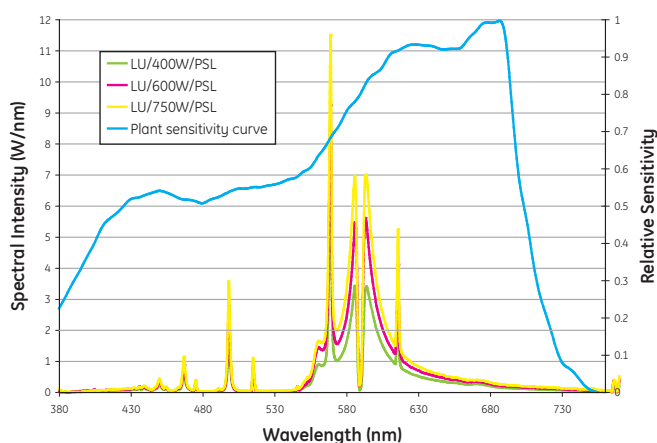
Photometric data

Watts	Volts [V]	Current [A]	Power [W]	100 hour Lumens	100 hour PAR $\mu\text{mol}/\text{sec}$
LU250W/PSL	115	2.7	250	33,000	430
LU400W/PSL	110	4.3	420	56,500	710
LU600W/PSL	115	6.0	615	90,000	1080
LU750W/PSL	115	7.4	755	112,000	1320
LU400V/600W/PSL	200	3.6	620	85,000	1120
LU400V/750W/PSL	205	4.4	765	104,000	1390

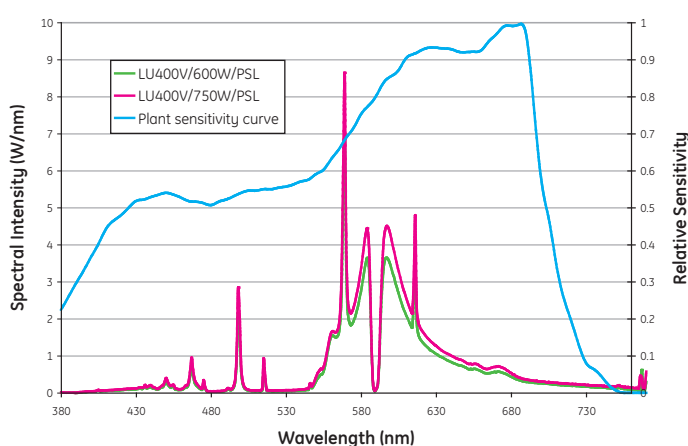
Photometric data is quoted in a horizontal orientation operating from a nominal ballast at rated supply volts.

Spectral power distribution

Spectral power distribution – 230V type PSL lamps



Spectral power distribution – 400V type PSL lamps



Electrical data

Data is based on a nominal lamp operating from a nominal choke (reactor) ballast with power factor correction. Supply power is based on a typical commercially available ballast.

Lamp data (nominal)

Watts	Volt [V]	Current [A]	Power [W]
LU250W/PSL	115	2.7	250
LU400W/PSL	110	4.3	420
LU600W/PSL	115	6.0	615
LU750W/PSL	115	7.4	755
LU400V/600W/PSL	200	3.6	620
LU400V/750W/PSL	205	4.4	765

Depending on systems conditions, lamp power can vary by $\pm 2.5\%$

Run-up characteristics

The graph shows typical run-up characteristics for a LU600W/PSL lamp. The time needed for the light output to reach 90% of the final value is determined by the supply voltage and ballast design. Typical values are:

Watts	400	600	750
Run-Up (minutes)	5	4	3

Hot restrike time

All ratings restrike within 5 minutes. This occurs when the lamp has cooled to a temperature at which the starting aid can re-establish the arc. The new solid state starting aid is integrally bonded to the arc tube for shorter restrike time, and improved reliability — no moving parts or welds.

Supply voltage

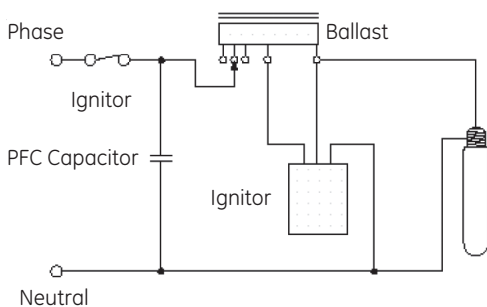
Lamps are suitable for supplies in the range 220V to 250V 50/60 Hz (230V PSL) or 390V to 420V 50 Hz (400V PSL) for appropriately rated series choke (reactor) ballasts. Supplies outside these ranges require a transformer (conventional, high reactance or CWA) to ensure correct lamp operation. Lamps start and operate at 10% below the rated supply voltage when the correct control gear is used. In order to maximise lamp survival and PAR maintenance, the supply voltage and ballast design voltage should be within $\pm 3\%$.

Supply variations of $\pm 5\%$ are permissible for short periods only. This may be achieved by measuring mean supply voltage at the installation and selecting ballasts with appropriate settings. Lamps should be used with gears rated to lamp nominal supply voltage.

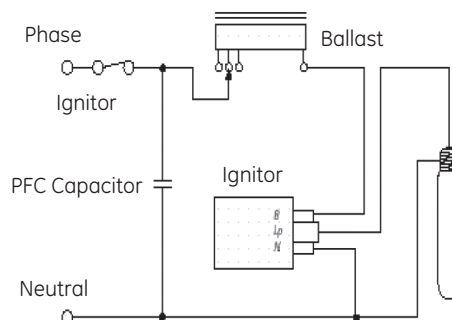
Ballasts

It is essential to use a ballast appropriate to the supply voltage at the luminaire. Typical wiring diagrams for control circuits incorporating "Superimposed" or "Impulser" ignitor and choke (reactor) ballast are shown. Refer to actual choke and ignitor manufacturers' data for terminal identification and wiring information.

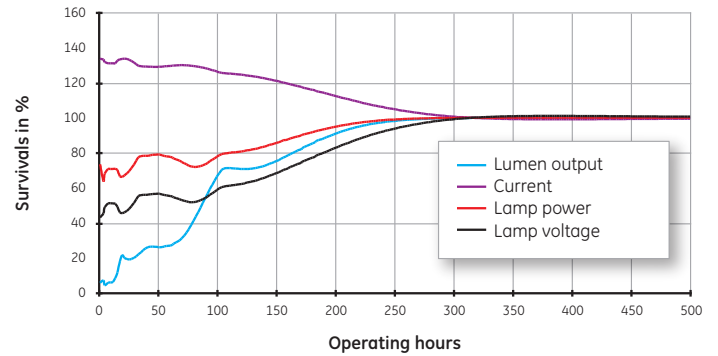
Typical impulser ignitor circuit



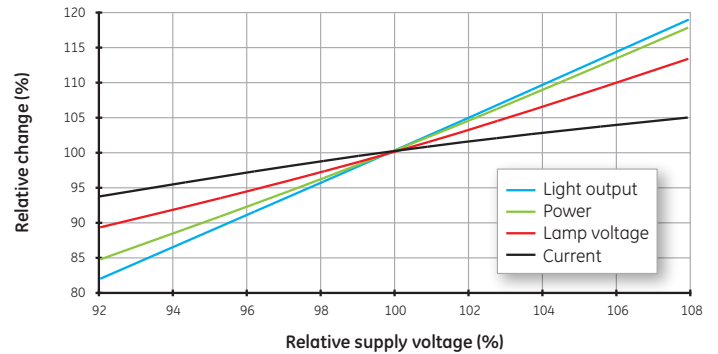
Typical superimposed ignitor circuit



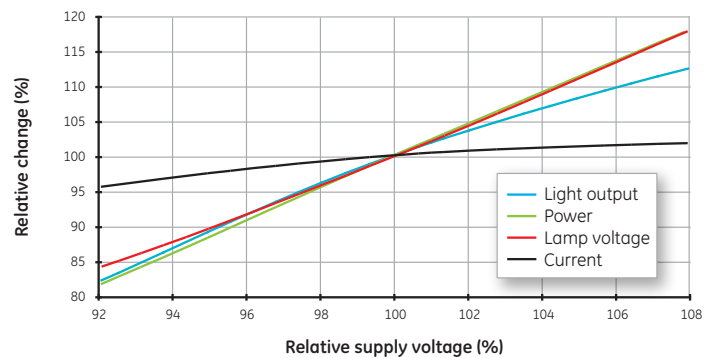
Typical run-up characteristics



Mains voltage variations – 230V PSL



Mains voltage variations – 400V PSL



Guidance for luminaire manufacturers

Lamp operating temperature limits

Watts	250	400	600	750
Clear Tubular				
Max. Bulb Temperature	400 °C	400 °C	410 °C	410 °C
Max. Cap Temperature	250 °C	250 °C	250 °C	250 °C

Luminaire voltage rise

To maximize lamp life it is essential that luminaires are designed so that when lamps are enclosed lamp voltage rise does not exceed the following values:

Watts	250	400	600	750
Clear Tubular				
Voltage Rise (V)	12	12	12	12

Ballasts

To achieve correct lamp starting, performance and life, it is important that the lamp and ballast are compatible and suitably rated for the supply voltage at the luminaire.

Lucalox™ PSL lamps comply with IEC62035 (HID Lamp Safety) standards. Ballasts used to operate these lamps should comply with ballast standards IEC60922 & IEC60923 and incorporate adequate overload protective measures to ensure that safety is maintained under abnormal lamp end-of-life rectification conditions as prescribed by IEC62035 and draft changes to luminaire standard EN60598-1. Ballast thermal protection is recommended for providing adequate protection.

Ballast voltage adjustment — For series choke (reactor) ballasts a single additional tapping 10V (230V line voltage) or 20V (400V line voltage) above the rated supply voltage are recommended. This will ensure lamps are not over loaded due to excessive supply voltage.

PFC capacitors for choke (reactor) circuits

Power Factor Correction is advisable in order to minimise supply current and electricity costs. For 220-250V supplies, 250V nominal voltage rated capacitors with $\pm 10\%$ capacitance tolerance are recommended. For 400V supplies 450V voltage rated capacitance are recommended as follows:

Watts	LU250W/PSL	LU400W/PSL	LU600W/PSL	LU750W/PSL	LU400V/600W/PSL	LU400V/750W/PSL
Ballast impedance [V/A]	60	40.9	29.7	24.2	87.5	71
PFC Capacitor [μ F]	30	50	60	60	20	22.5

Ignitors

Ignitors should comply with specifications IEC60926 and IEC60927 and have starting pulse characteristics as follows:

Watts	Min. Pulse Voltage [kV] ¹	Max. Pulse Voltage [kV] ²	Min. Pulse Width [kV] ³	Min. Pulse Repetition Rate ⁴
250	3.3	5.0	1.95	1 / cycle
400	3.3	5.0	1.95	1 / cycle
600	4.0	5.0	1.95	1 / cycle
750	3.3	5.0	1.95	1 / cycle

1. When Loaded with 100 pF min.

2. When Loaded with 20 pF max.

3. At 90 % peak voltage

4. Pulse Phase Angle: 60-90°el and/or 240-270° el

Recommended ignitors for the 400V line voltage systems:

- Tridonic ZRM-ES/B 400, Bag Turgi 400 NI 2000
- UE Philips SN 88 T5

Timed ignitors

Use of a “timed” or “cut-out” ignitor is not a specific requirement, but it is a good optional safety feature for the installation. The timed period must be adequate to allow lamps to cool and restart when the supply is interrupted briefly (see “Hot re-strike time”). A period of 10 minutes continuous or intermittent operation is recommended before the ignitor is automatically switched off. Commercially available 10/11 minute timed ignitors are suitable.

Cable between ignitor and lamp

Cables connected between the lamp and a superimposed ignitor “Lp” terminal, or the ballast when using an impulser ignitor, must be rated at a minimum 50/60Hz voltage of 1000V. Mineral-insulated cables are not suitable for connecting the lamp to the control gear.

To achieve good starting superimposed ignitors must be adjacent to the luminaire. Cable capacitance of wiring between the ignitor “Lp” terminal and the lamp should not exceed 100pF (<1 metre length) when measured to adjacent earthed metal and/or other cables, unless otherwise stated by the ignitor manufacturer. When using impulser type ignitors, longer cable lengths between ballast and lamp are normally permissible. Limits for particular ignitors are available directly from the ignitor manufacturer.

Certificate



GE Lighting is constantly engaged in the global quality process. A statistical quality system designated SIX SIGMA is applied across the board in all areas of the company from manufacturing through to sales.

Application area



Horticulture

Caution



Special purpose lamps.
Not suitable for household illumination.

